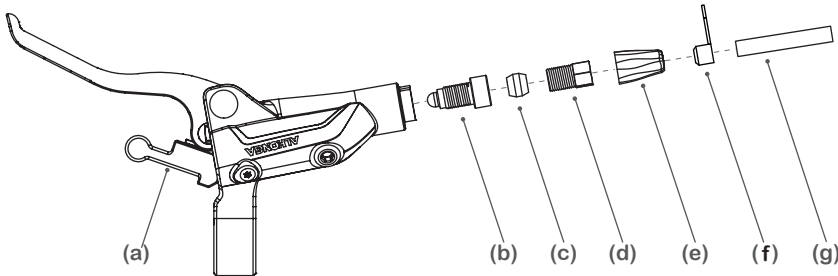




※ Before starting maintain the brakes, please note that ONLY ALHONGA J-Kit accessories of HT472 / 474 / 372 and SHIMANO BH90 series are compatible. To use other accessories from other brands can not ensure their function and safety.

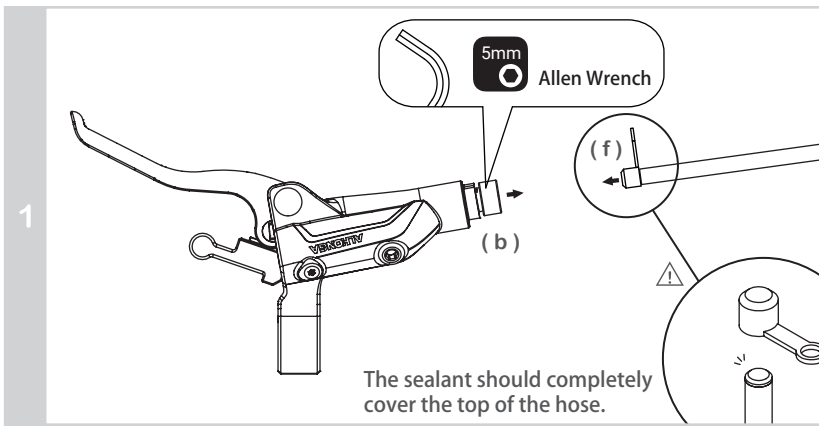
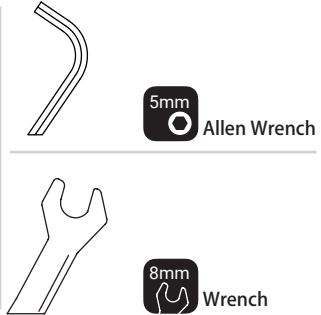
J - KIT ASSEMBLING MANUAL



Part name

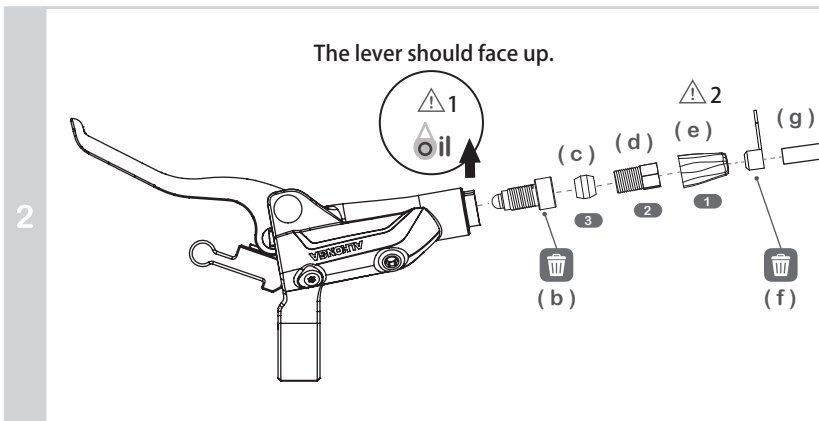
Tools

- (a) Bleeding Block for lever
- (b) Nylon Screw
- (c) Brass Olive
- (d) Hose Screw
- (e) Plastic Sleeve
- (f) Hose Cap
- (g) Hose



1. Remove part (b).
2. Remove part (f).

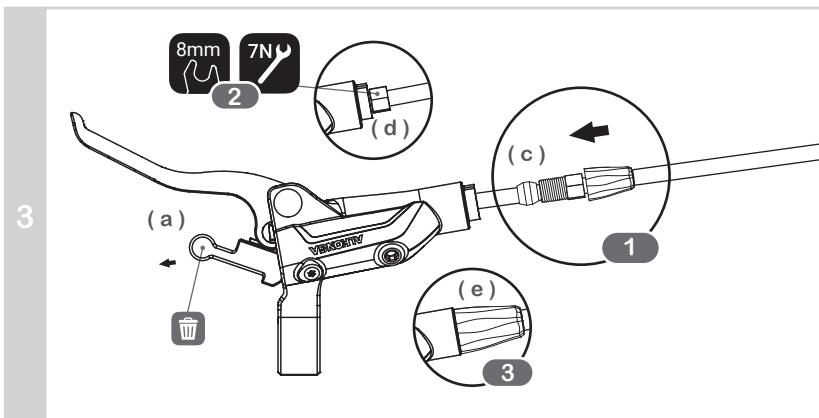
⚠ Be sure the sealant is not damaged and is completely attached on the hose.



1. Discard part (b).
2. Discard part (f).
3. Make sure parts (e), (d) and (c) are in this order on the hose. 1 2 3

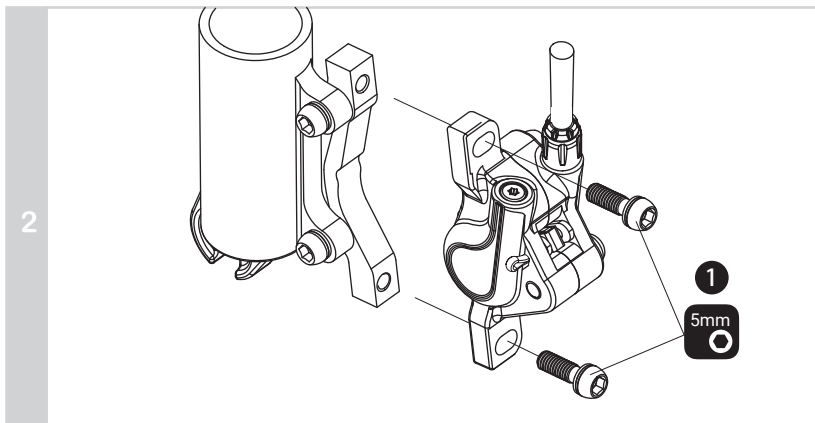
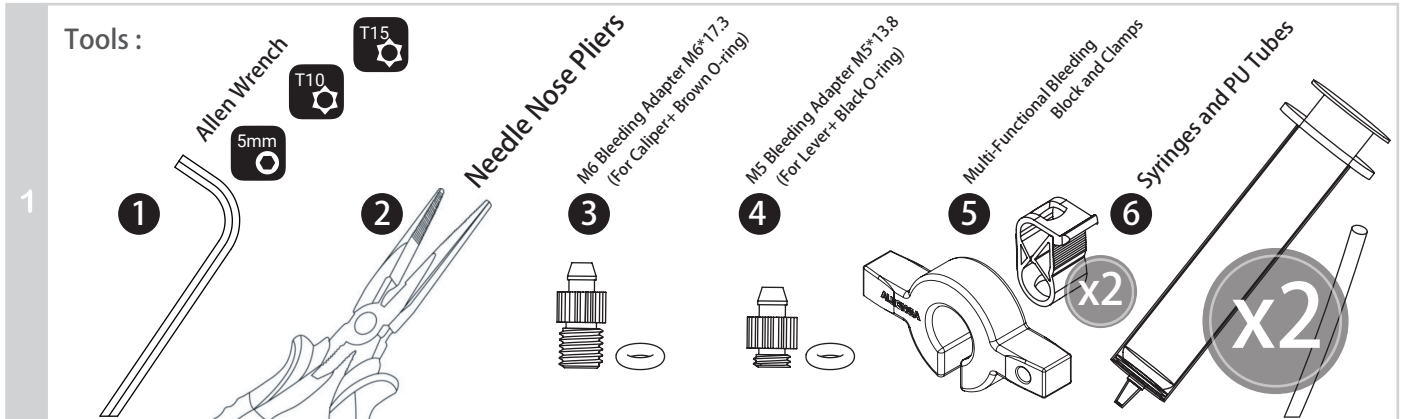
⚠ 1 Lift up the lever to avoid oil spillage.

⚠ 2 Place parts (e), (d) and (c) according to the diagram on the left.

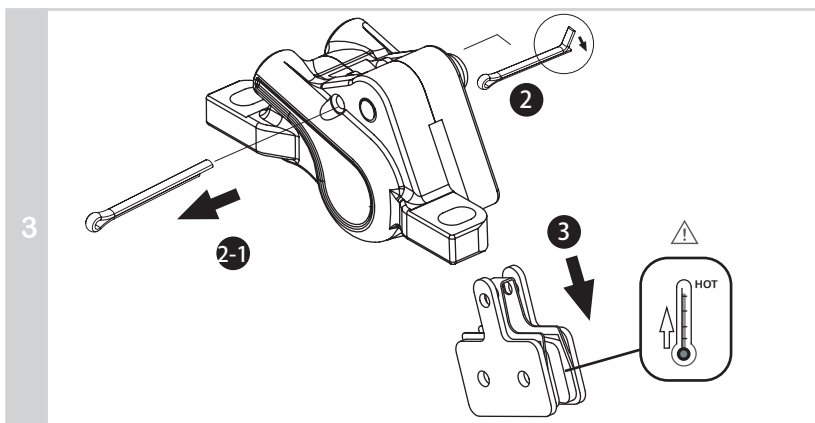


1. 1 Move all the parts all the way into the lever to hold the brass olive (c) in place.
2. 2 Tighten part (d) with an 8mm wrench with 7N-m torque to secure the hose so that there will be no leakage.
3. 3 Move part (e) all the way to the lever.
4. Remove and discard part (a).

CALIPER BLEEDING MANUAL



1 Using a 5mm Allen wrench to extract the caliper away from the adapter.

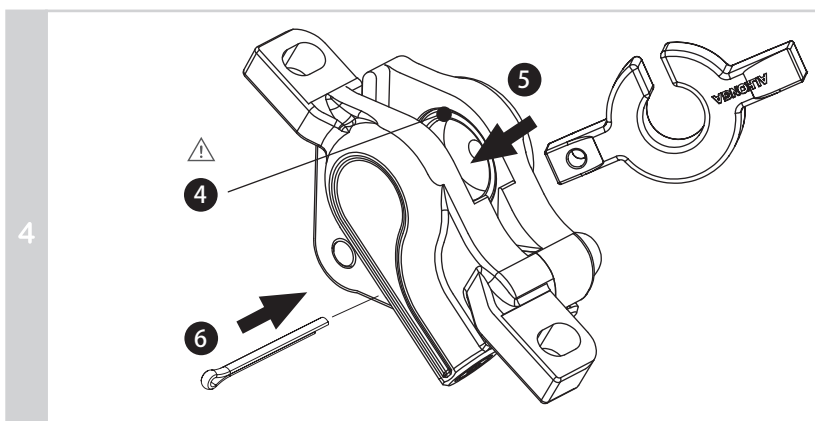


⚠ Note: Before taking out the disc pads, make sure it has cooled down to prevent burns.

2 Flatten the pin.

2-1 Take out the pin.

3 Take out the disc pads.



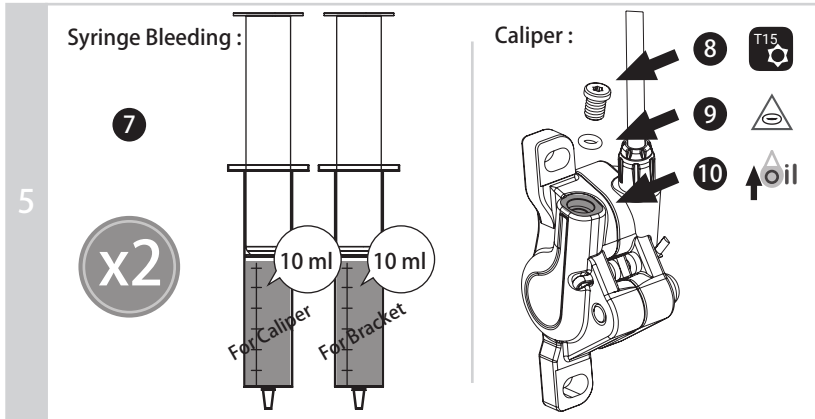
⚠ Note: Evenly distribute force on pistons to prevent damage to the O-ring.

4 Push back the two pistons.

5 Insert the Multi-Functional Bleeding Block.

6 Put the pin back to temporarily hold the block.

CALIPER BLEEDING MANUAL

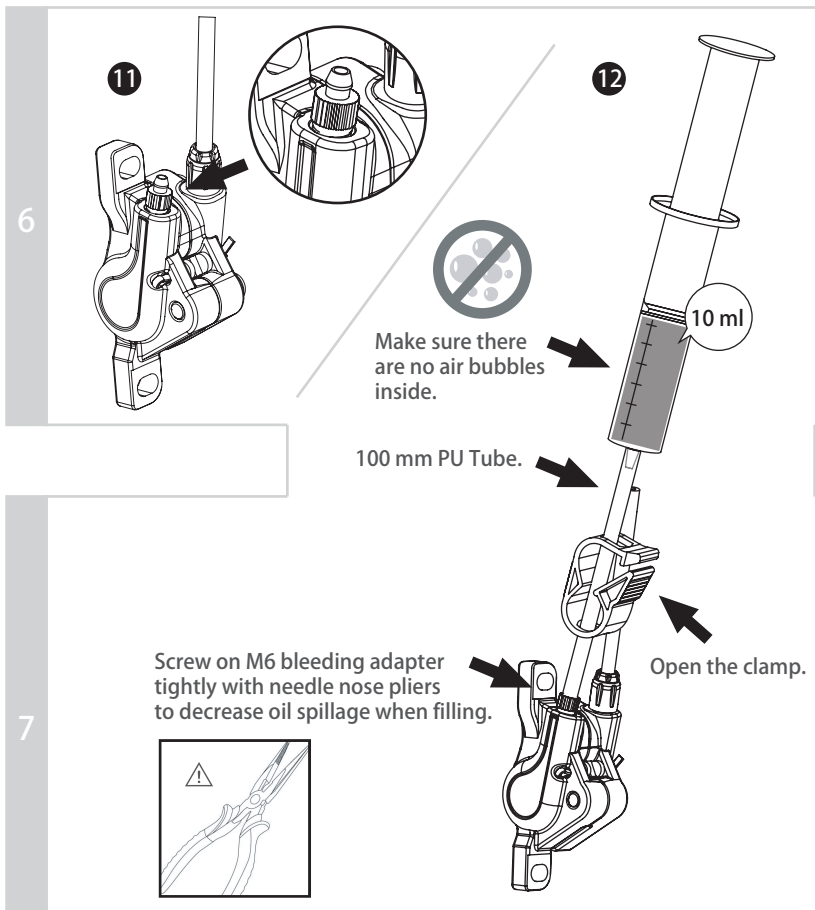


Syringe Bleeding Preparations :

- 7 Fill both syringes with mineral oil until 10ml.

Caliper Preparations :

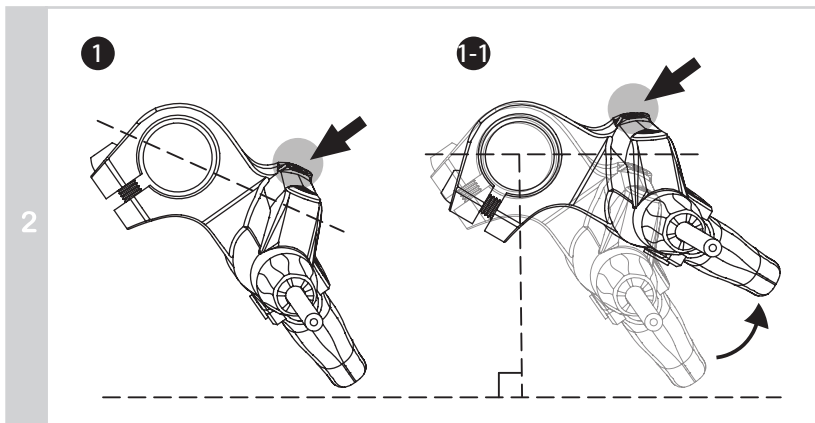
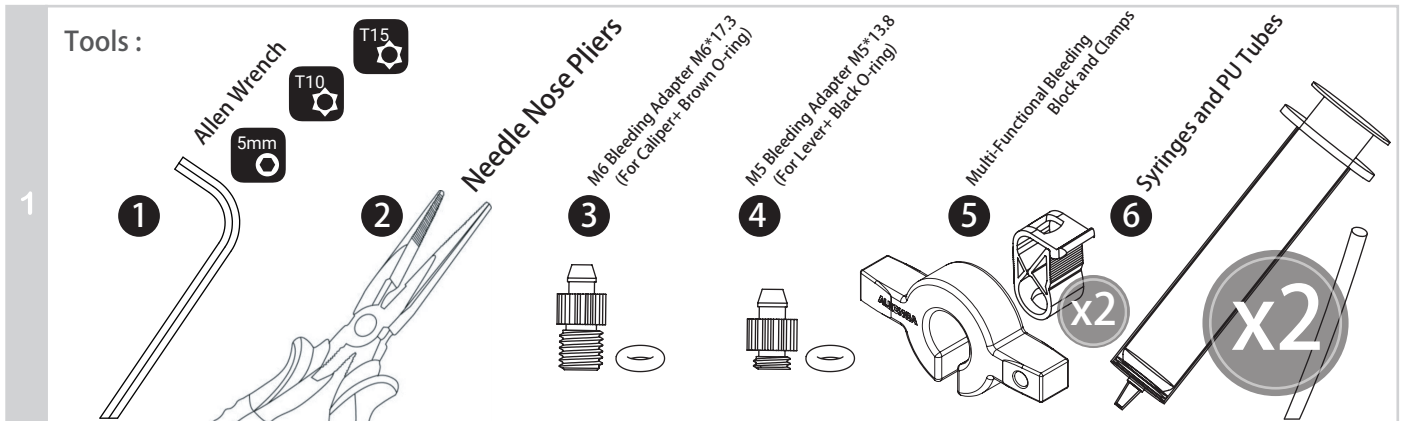
- 8 Screw off the bolt with a T15 wrench as pictured on the left.
- 9 Take out the O-ring and discard it.
- 10 The bleeding hole should face up to prevent oil leakage as pictured on the left.



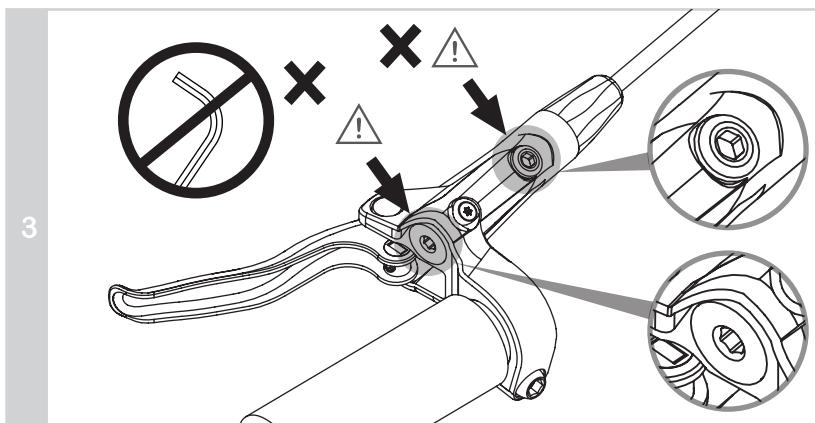
- 11 Screw on M6 bleeding adapter with a brown O-ring first.

- 12 Connect the syringe with the mineral oil to the caliper.

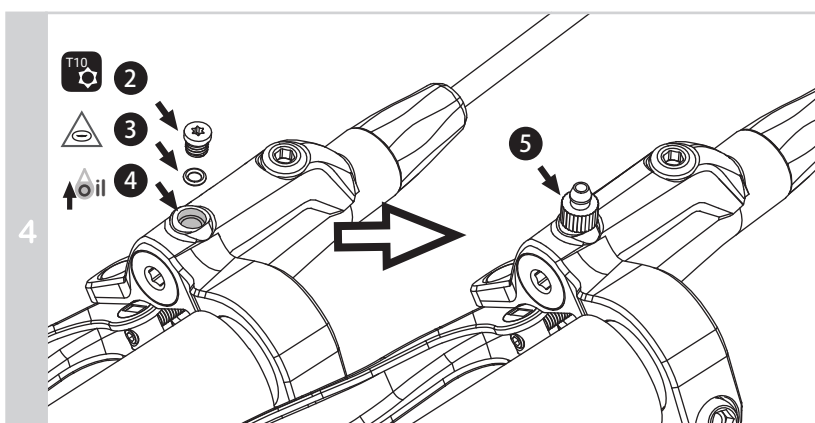
BRACKET BLEEDING MANUAL



1 Lift up the lever until it is horizontal.



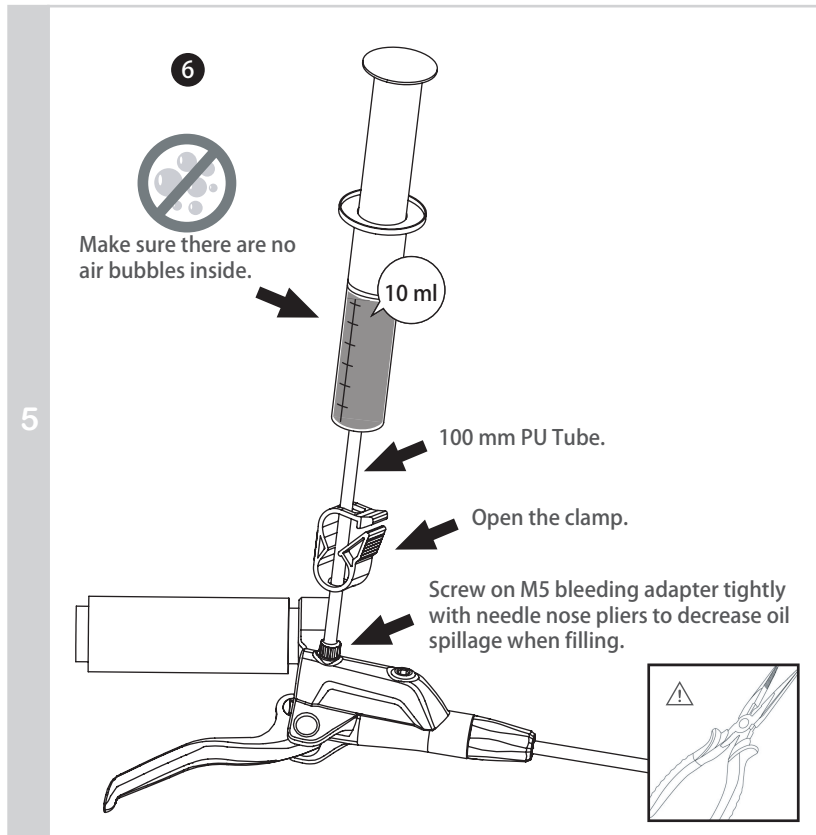
⚠ Do Not open or adjust the two bolts. ✘



Lever preparations :

- 2 Screw off the bolt with a T10 wrench.
- 3 Take out the O-ring and discard it.
- 4 The bleeding port should face up to prevent oil spillage.
- 5 Screw on M5 bleeding adapter with a black O-ring.

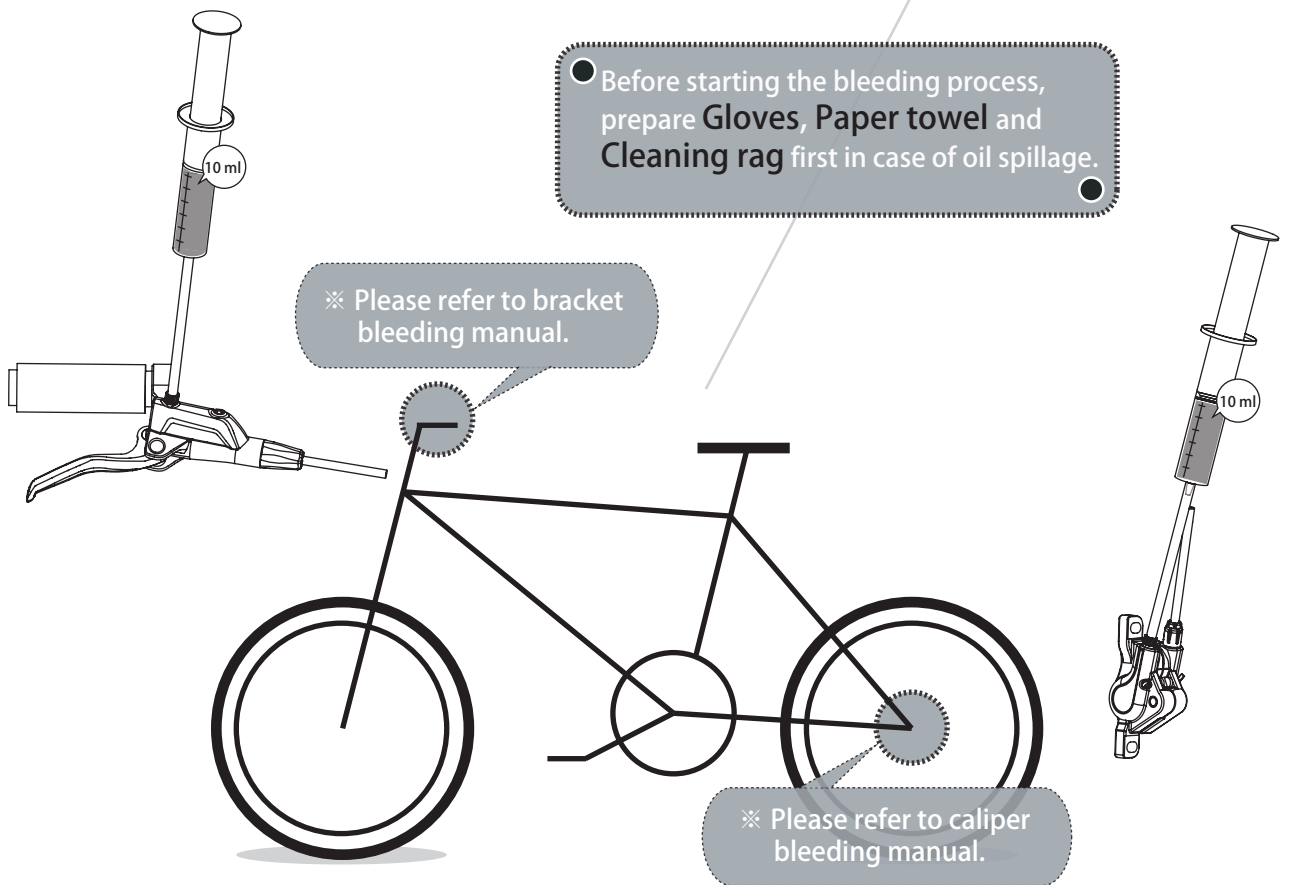
BRACKET BLEEDING MANUAL



6 Connect syringe with the mineral oil to the M5 bleeding adapter.

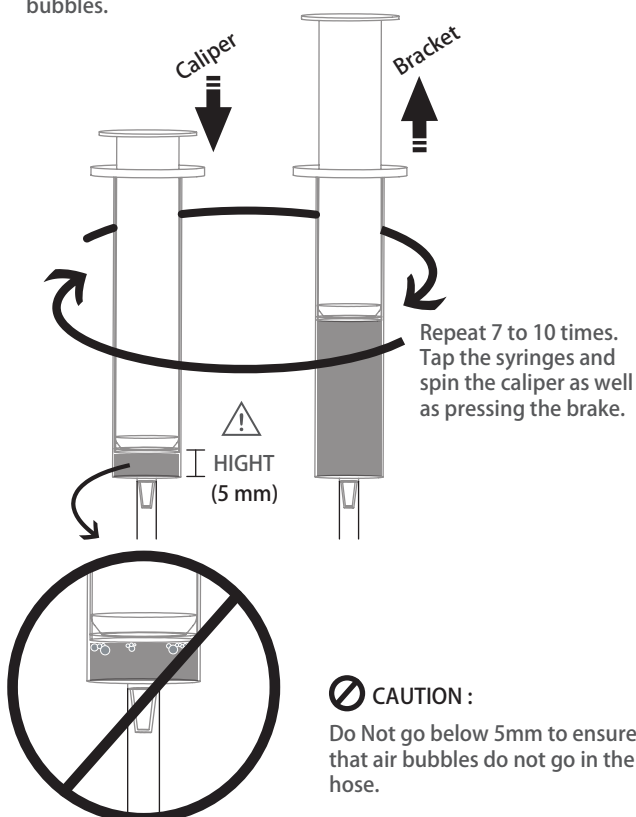
BLEEDING MANUAL

1



2

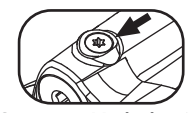
- 1** Inject the oil into the caliper until 5mm, then inject the oil into the lever until 5mm. Repeat 7-10 times until there are no air bubbles.



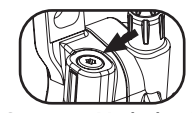
- 2** After completing the bleeding process, close the clamp.
1. Remove the syringe from the caliper first.
 2. Remove the other syringe from the lever.

⚠ Make sure there are no air bubbles in the bleeding port then screw on the bolt.

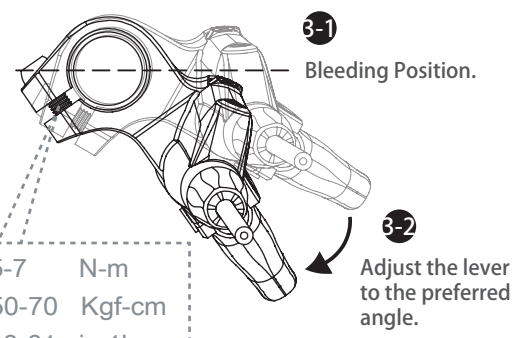
- 3** Adjust the lever to the preferred angle.



Screw on M5 bolt with torque 2-3 N-m.



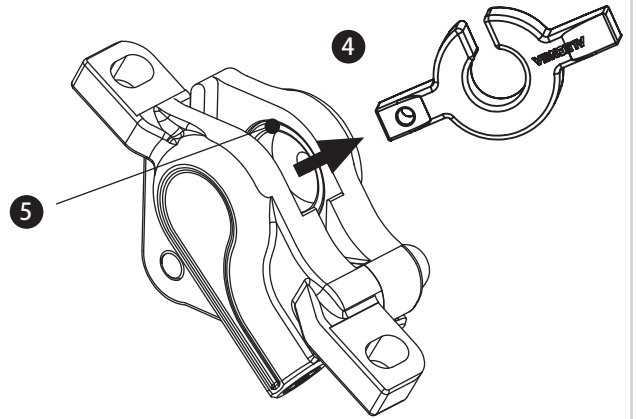
Screw on M6 bolt with torque 2-3 N-m.



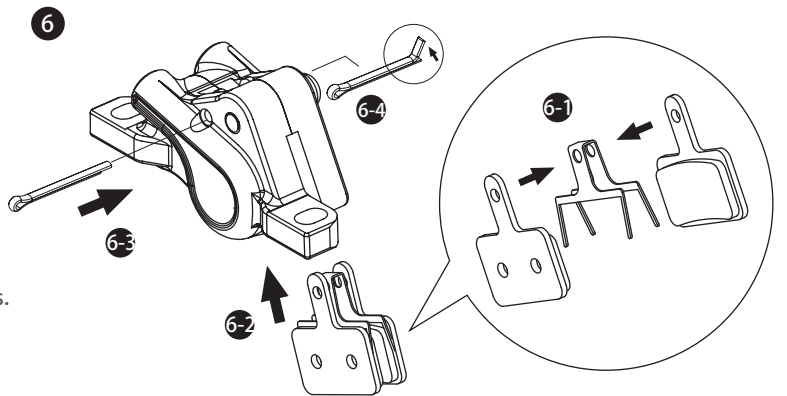
BLEEDING MANUAL

Adjusting The Caliper :

- 4 Take out the block.
- 5 Flatten the two pistons in the caliper.



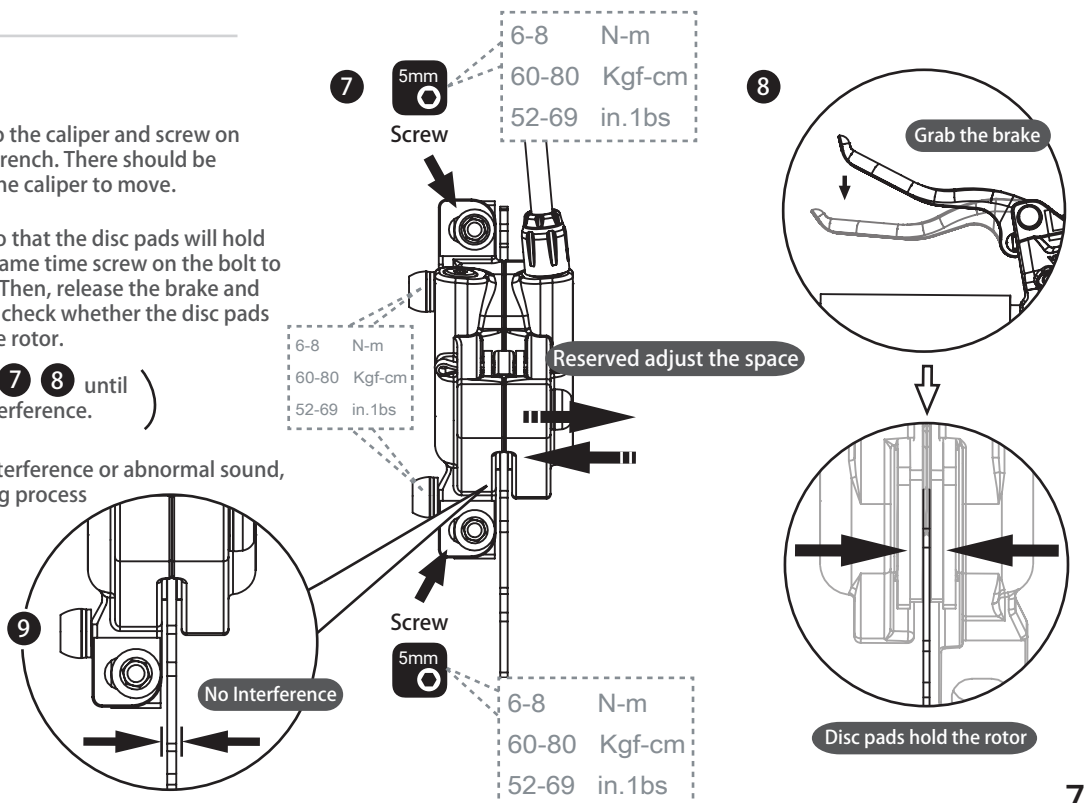
- 6 Install the disc pads.
- 6-1 Assemble the disc pads as pictured on the right.
- 6-2 Place the disc pads into the caliper.
- 6-3 Put the pin back as pictured on the right.
- 6-4 Bend the tip of the pin up to secure the disc pads.



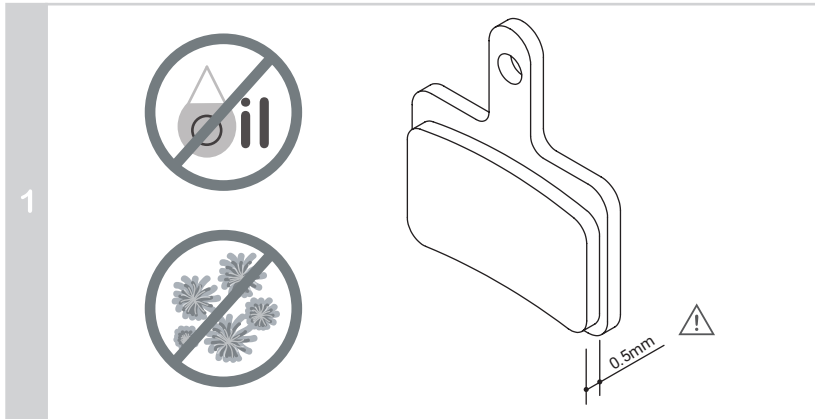
- 7 Put the rotor into the caliper and screw on the bolt with a wrench. There should be some space for the caliper to move.
- 8 Hold the brake so that the disc pads will hold the rotor at the same time screw on the bolt to hold the caliper. Then, release the brake and rotate the tire to check whether the disc pads interfere with the rotor.

(※ Repeat steps 7 8 until there is no interference.)

- 9 If there are no interference or abnormal sound, then the bleeding process is complete.

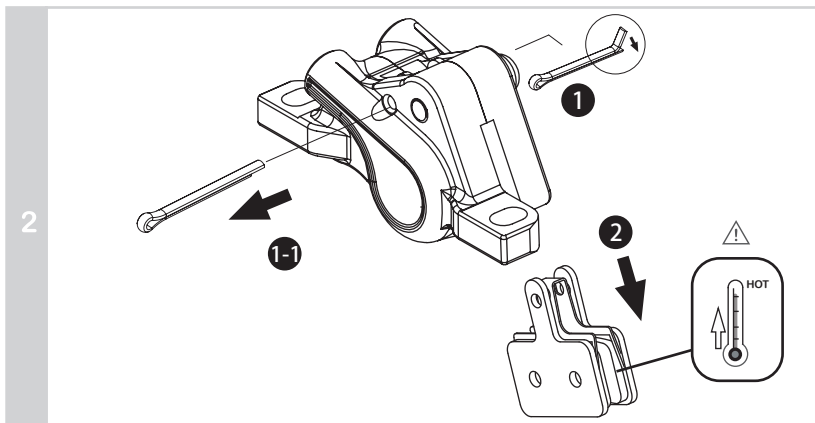


CHANGE DISC PAD MANUAL



⚠ Make sure the thickness of the disc pads is not worn down 0.5mm. We recommend changing the disc pads when their thickness is between 0.5mm-1mm.

🚫 DO NOT leave oil stains or dust on the new disc pads.

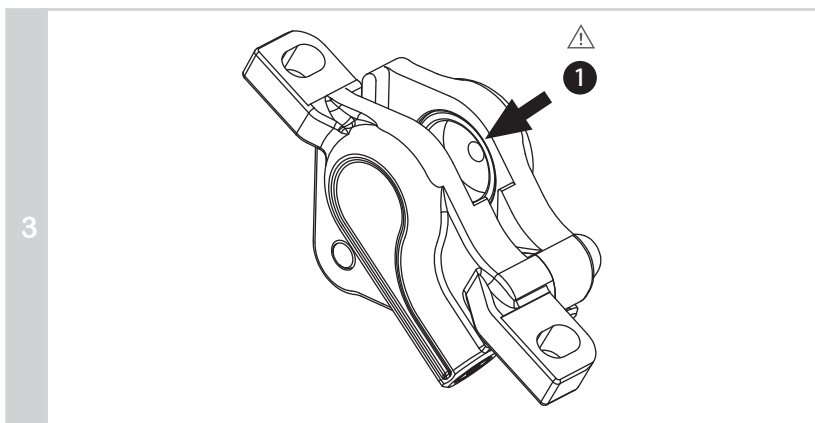


⚠ Before changing the new disc pads, make sure the rotor and the disc pads have cooled down to prevent burns.

1 Flatten the pin.

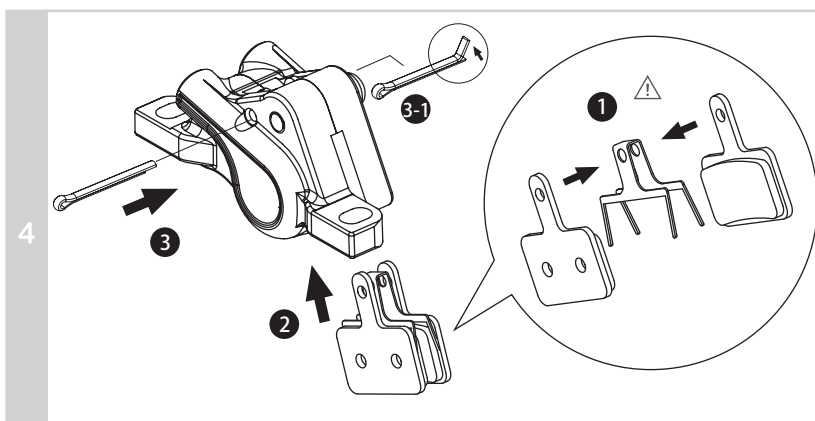
1-1 Take out the pin.

2 Take out the old disc pads.



⚠ Evenly distribute force on pistons to prevent damage to the O-ring.

1 Flatten the two pistons in the caliper in order to install the new disc pads.



⚠ Make sure that the new disc pads have no oil stains or dust.

1 Assemble the new disc pads as pictured on the left.

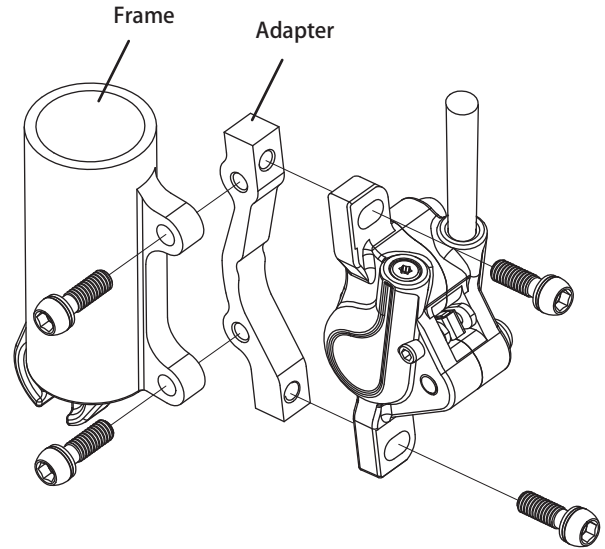
2 Place the new disc pads into the caliper.

3 Put the pin back as pictured on the left.

3-1 Bend the tip of the pin up to complete the changing of the new disc pads.

ADJUSTING THE GAP OF THE CALIPER AND THE ROTOR

- 1** Using a 5mm Allen wrench screw the adapter and the caliper together.

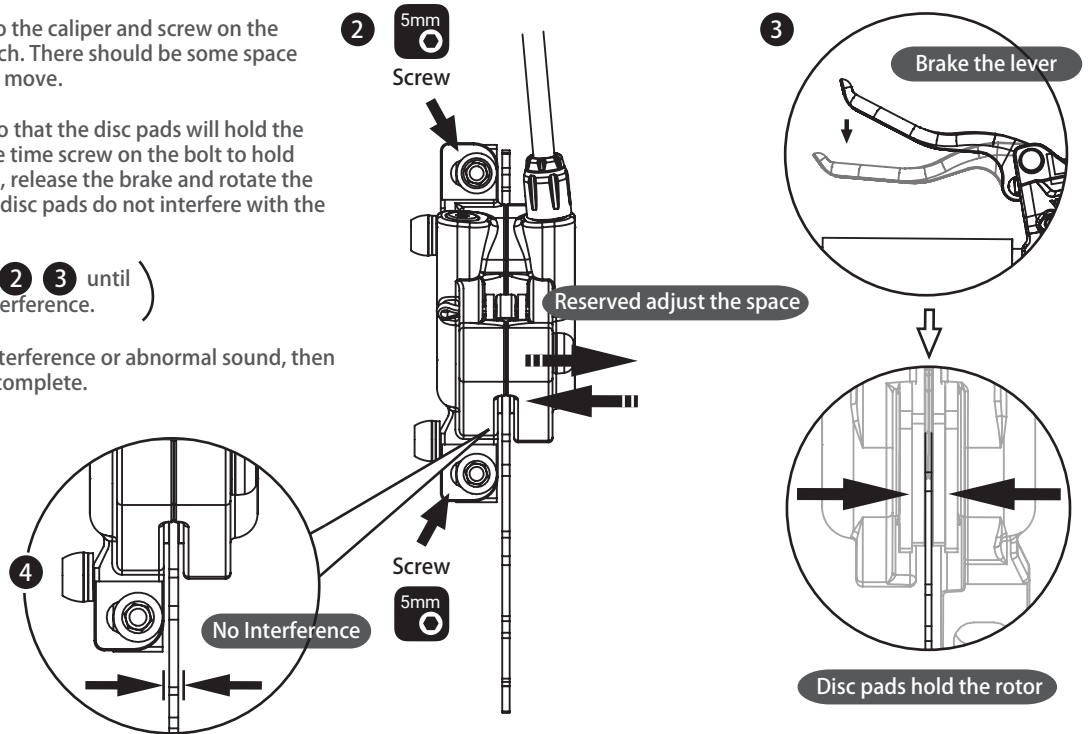


	x4	6-8 N-m
		60-80 Kgf-cm
		52-69 in.1bs

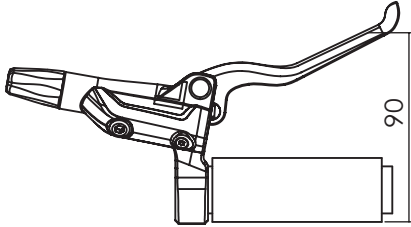
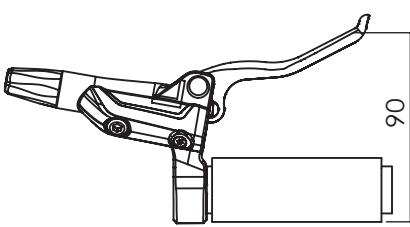
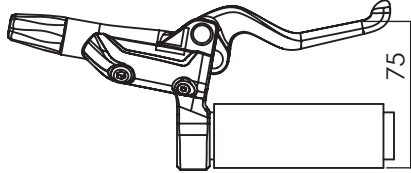
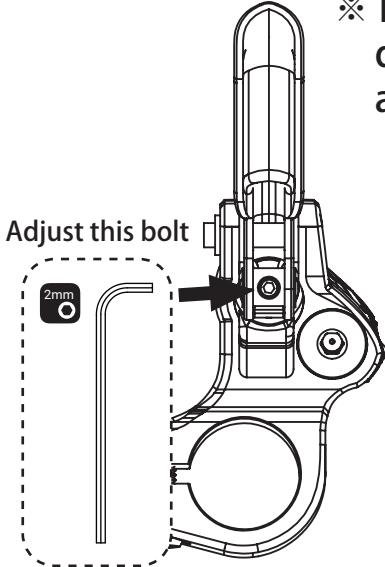
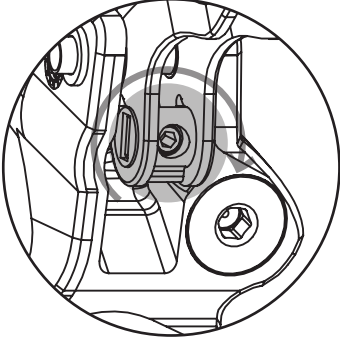
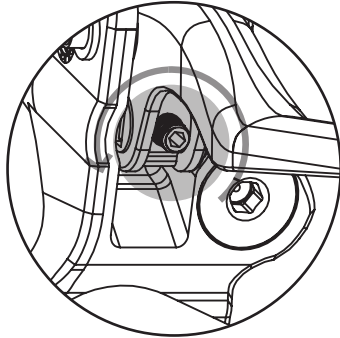
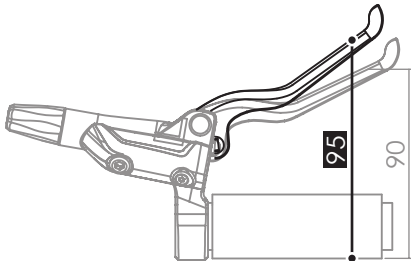
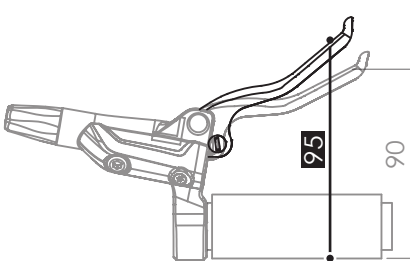
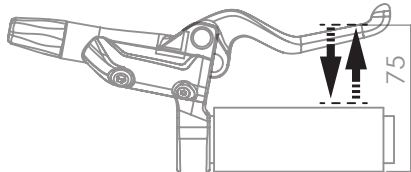
- 2** Put the rotor into the caliper and screw on the bolt with a wrench. There should be some space for the caliper to move.
- 3** Hold the brake so that the disc pads will hold the rotor at the same time screw on the bolt to hold the caliper. Then, release the brake and rotate the tire to check the disc pads do not interfere with the rotor.

(※ Repeat steps **2** **3** until there is no interference.)

- 4** If there are no interference or abnormal sound, then the adjusting is complete.



ADJUSTING THE DISTANCE BETWEEN THE HANDLE BAR AND THE BRAKE

	HT474	HT472	HT372 JR
1	 <p>STANDARD DISTANCE 90 mm</p>	 <p>STANDARD DISTANCE 90 mm</p>	 <p>STANDARD DISTANCE 75 mm</p>
2	 <p>Adjust this bolt</p> <p>2mm</p>	<p>※ If there is a preference to change the standard distance, make sure the caliper and the lever are assembled.</p> <p>※ Due to Nylok screw, screw it hard when decreasing the standard distance.</p>	
		 <p>Adjust clockwise to increase the standard distance.</p>	 <p>Adjust counterclockwise to decrease the standard distance.</p>
3	 <p>HT474 RECOMMENDED DISTANCE IS 85 ~ 95 (mm)</p>	 <p>HT472 RECOMMENDED DISTANCE IS 80 ~ 95 (mm)</p>	 <p>HT372 JR RECOMMENDED DISTANCE IS 75 (mm) AND BELOW</p>